

**Operation- and
Assembly Instructions****1 Safety instructions**

Electrical equipment may only be installed and fitted by electrically skilled persons.

Failure to observe the instructions may cause damage to the device and result in fire and other hazards.

Danger of electric shock. Always disconnect before carrying out work on the device or load. At the same time, take into account all circuit breakers that supply dangerous voltage to the device or load.

Danger of electric shock. Device is not suitable for disconnection from supply voltage. The load is not electrically isolated from the mains even when the device is switched off.

These instructions are an integral part of the product, and must remain with the end customer.

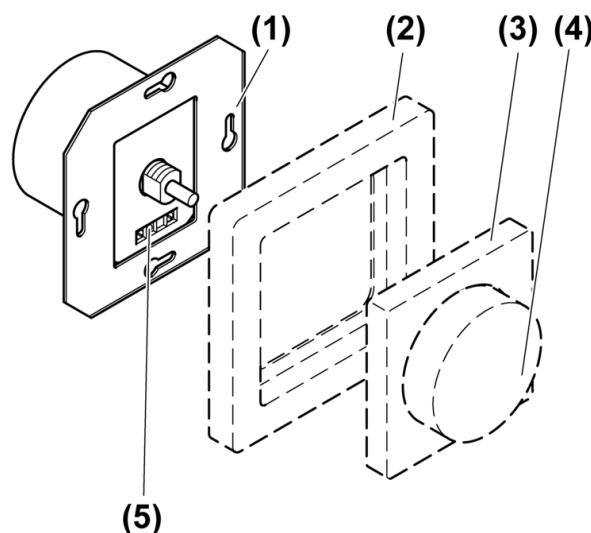
2 Device components

Figure 1: Device components

- (1) Dimmer
- (2) Frame
- (3) Central plate
- (4) Adjusting knob
- (5) Screw terminals

3 Function**Intended use**

- Switching and dimming incandescent lamps, HV halogen lamps and Tronic transformers with halogen lamps
- Suitable for mixed operation up to the specified output (see section Technical data)
- Installation in appliance box to DIN 49073

i No operation with inductive transformers.

Rotary Tronic dimmer

Product characteristics

- Dimming principle, phase cut-off
 - Electronic short-circuit protection with permanent switch-off after 7 seconds at the latest
 - Electronic over-temperature protection
 - Changeover switch possible in combination with two dimmers
 - Power extension through power boosters (see power booster instructions)
- i** Flickering of the connected lamps due to undershoot of the specified minimum load or through centralised pulses from the power stations. This does not represent any defect in the device.

4 Operation

Switch light

- Press the control button.

Adjust the brightness

Light is switched on.

- Turn the control button in the clockwise direction.
The light gets brighter up to maximum brightness.
- Turn the control button in the anti-clockwise direction.
Light gets darker to minimum brightness.

5 Information for electrically skilled persons

5.1 Fitting and electrical connection



DANGER!

Electrical shock when live parts are touched.

Electrical shocks can be fatal.

Before carrying out work on the device or load, disconnect all the corresponding circuit breakers. Cover up live parts in the working environment.

Connecting and mounting the dimmer

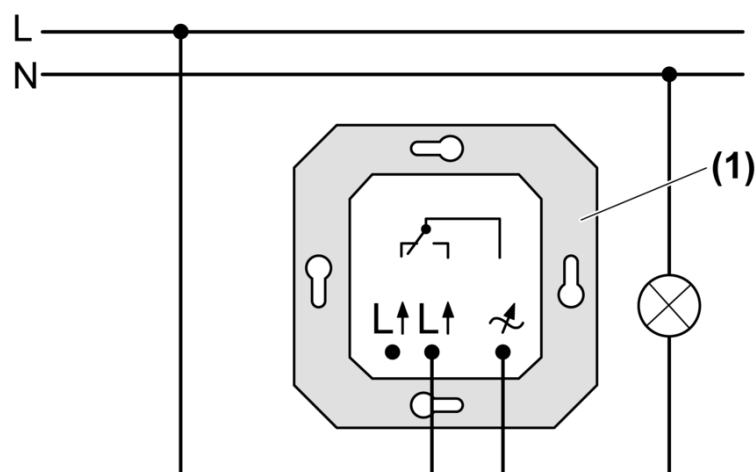


Figure 2: Connection diagram

- Connect the dimmer (1) according to the connection diagram (Figure 2).

Rotary Tronic dimmer

- Mount the dimmer in the accessory socket.
- Mount the frame and the central plate.
- Attach the adjusting knob.

Connection in changeover switch

- ❗ No changeover switch possible with two dimmers.

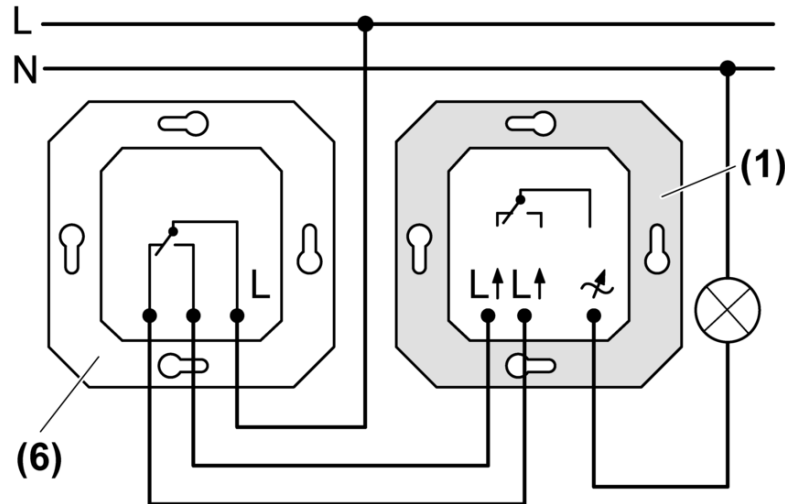


Figure 3: Changeover switch

- Connect the dimmer (1) and the changeover switch (6) according to the connection diagram (Figure 3)

6 Appendix

6.1 Technical data

Rated voltage	AC 230 / 240 V ~
Mains frequency	50 Hz
Ambient temperature	+5 ... +25 °C

Connected load at 25 °C

- ❗ Power specifications including transformer power dissipation.

Incandescent lamps	20 ... 360 W
HV halogen lamps	20 ... 360 W
Tronic transformers	20 ... 360 W
ohmic-capacitive	20 ... 360 W

Power reduction

per 5°C in excess of 25°C	-10 %
when installed in wooden or dry construction walls	-15 %
when installed in multiple combinations	-20 %

Connection

single stranded	max. 4 mm ²
-----------------	------------------------



The symbols used to label the dimmer load shows the load type that can be connected to a dimmer and the electric behaviour of a load:
R = ohmic, C = capacitive

6.2 Troubleshooting

The dimmer switches the load off and only on again after some time.

Overheating protection has tripped.

Reduce the connected load.

Check the installation situation.

The dimmer switches the load off briefly and then on again.

Short-circuit protection has tripped but now there is no longer a fault.

The dimmer switches the load off and cannot be switched on again.

Short-circuit protection has tripped.

Eliminate short-circuit.

Switch the dimmer back on by pressing the control knob twice.

i Short-circuit protection is not based on a conventional fuse, no metallic separation of the operational current.

6.3 Warranty

We reserve the right to make technical and formal changes to the product in the interest of technical progress.

Our products are under guarantee within the scope of the statutory provisions.

If you have a warranty claim, please contact the point of sale or ship the device postage free with a description of the fault to the appropriate regional representative.

Berker GmbH & Co. KG

Klagebach 38

58579 Schalksmühle/Germany

Telefon + 49 (0) 2355/905-0

Telefax + 49 (0) 2355/905-111

www.berker.de